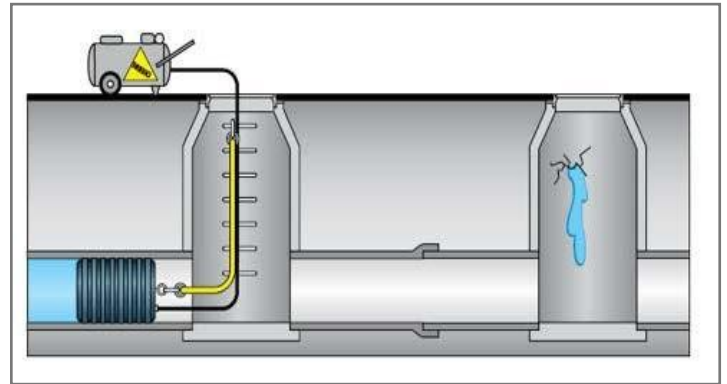




OVERNIGHT SEWER SYSTEM INSPECTIONS: INFLOW & INFILTRATION REDUCTION PROGRAM

The City of Fort Lauderdale is working with Ardurra Group Inc. to study the flow of wastewater throughout the City's sewer system. The goal is to identify areas where stormwater and groundwater are possibly entering the system.

Leaks could lead to problems such as increased treatment costs and reduced system capacity. The results of this analysis will be used to plan future sewer system improvement projects.



What to Expect

Inspections will take place Sunday through Thursday evenings between 11 p.m. and 7 a.m. Crews will be accessing sewer lines through sewer manholes. Therefore, no heavy machinery will be on site and minimal noise and lighting impacts are expected.

Traffic Impacts

- One lane in each direction of neighborhood streets may be closed temporarily during work hours.
- Traffic control personnel will direct traffic as needed.
- Access to driveways will be maintained.
- Please follow posted signs and drive with caution in the area.

Approximate Schedule

Monday, June 1 - Friday, June 12

Rio Vista, Harbordale, Central Beach and River Oaks

Monday, June 15 - Friday, June 26

Edgewood, Central Beach and Downtown Fort Lauderdale

This schedule is subject to change based on inclement weather or other unforeseen circumstances. We apologize in advance for any inconvenience and thank you for your patience while we complete this important analysis. To see a map of the areas where overnight sewer system inspections are scheduled and learn more about the City's efforts to reduce inflow and infiltration, visit ftlcity.info/iandi.

For more information or questions, contact:

Inflow and Infiltration Program Hotline

877-332-4037 or ftlii@ardurra.com

If you would like this publication in an alternate format, please call 954-828-4755 or email strategiccommunications@fortlauderdale.gov.