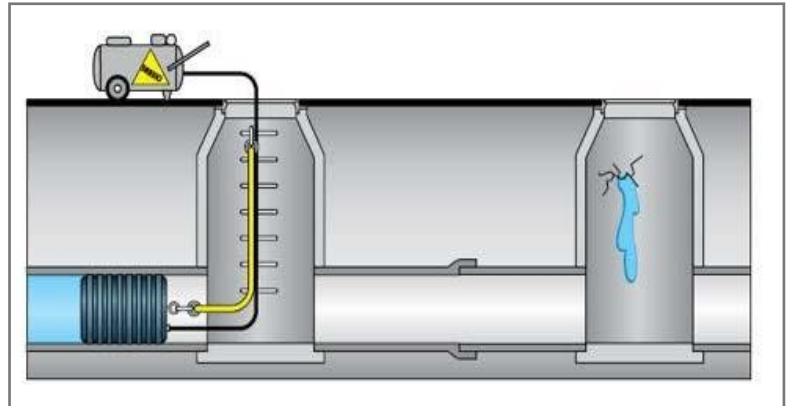




INFLOW & INFILTRATION REDUCTION PROGRAM: OVERNIGHT WASTEWATER FLOW ANALYSIS

The City of Fort Lauderdale is working with Ardurra Group Inc. to study the flow of wastewater throughout the City's sewer system over the next three years. This flow analysis is part of the City's ongoing efforts to identify portions of the sewer system where stormwater and groundwater are possibly entering the system, which leads to problems such as increased treatment cost and reduced system capacity. The results of this analysis will be used to plan future sewer system improvement projects.

Crews began analyzing overnight wastewater flows in July 2024 and expect to complete this work in November 2025.



Approximate Schedule

Tuesday, July 1, 2025

- Bayview Dr. from NE 56 St. to NE 46 St.
- N. Federal Hwy. from NE 48 St. to NE 54 St.
- Bayview Dr. from NE 14 St. to E. Sunrise Blvd.
- SW 12 St. from SW 9 Ave. to SW 2 Ave.
- SW 4 Ave. from SW 12 St. to SW 16 St.

Wednesday, July 2, 2025

- E. Broward Blvd. from S Federal Hwy. to N. Victoria Park Rd.

- SW 4 Ave. to S. Federal Hwy. from E. Las Olas Blvd. to E. Broward Blvd.
- E. Las Olas Blvd. from S. Gordon Rd. to SE 23 Ave.

Thursday, July 3, 2025

- SE 17 St. from SE 15 Ave. to Eisenhower Blvd.
- N. Birch Rd. from Riomar St. to Vistamar St.
- NE 15 Ave. from NE 13 St. to Poinsettia Dr.

This schedule is subject to change based on inclement weather or other unforeseen circumstances.

What to Expect

Inspections will take place Sunday through Thursday evenings between 11 p.m. and 7 a.m. Crews will be accessing sewer lines through sewer manholes. Therefore, no heavy machinery will be on site and minimal noise and lighting impacts are expected.

Traffic Impacts

- One lane in each direction of each street may be closed temporarily during work hours.
- Traffic control personnel will direct traffic as needed.
- Access to driveways will be maintained.
- Please follow posted signs and drive with caution in the area.

We apologize in advance for any inconvenience and thank you for your patience while we complete this important analysis.

To see a map of the areas where night flow isolation is scheduled and learn more about the City's efforts to reduce inflow and infiltration, visit ftlcity.info/iandi.

For more information or questions, contact:

Inflow and Infiltration Program Hotline

877-332-4037 or ftlii@ardurra.com

